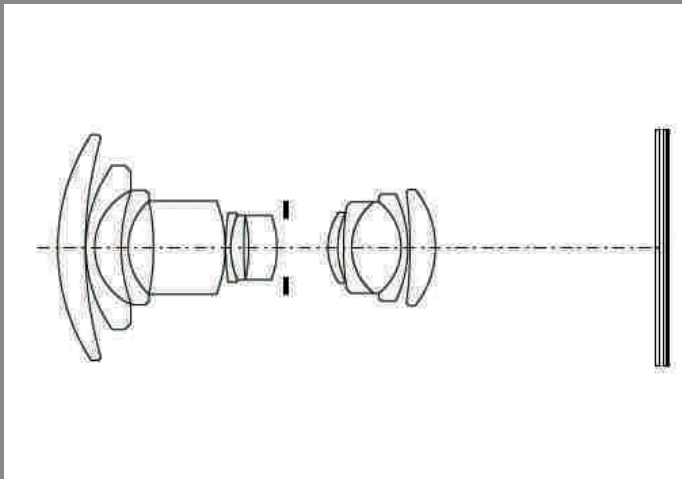


DigiCAM™ Specifications - 28mm lens

LENS DESIGN:



12 elements in 9 groups



GENERAL LENS DATA	
Focal length	28.9 mm
Aperture range	4 - 32
Angle of view diag/hor/vert	93° / 81° / 65°
Length	102 mm
Diameter	100 mm
Weight	850 g
Filter diameter	95 mm
Entrance pupil position	134 mm
Lens distortion	0.002 mm

MTF

Modulation Transfer as a function of image height at infinite focus setting.

Sagittal slit orientation drawn with continuous line and tangential with dashed. White light. Spatial frequencies 10, 20 and 40 lp/mm.

